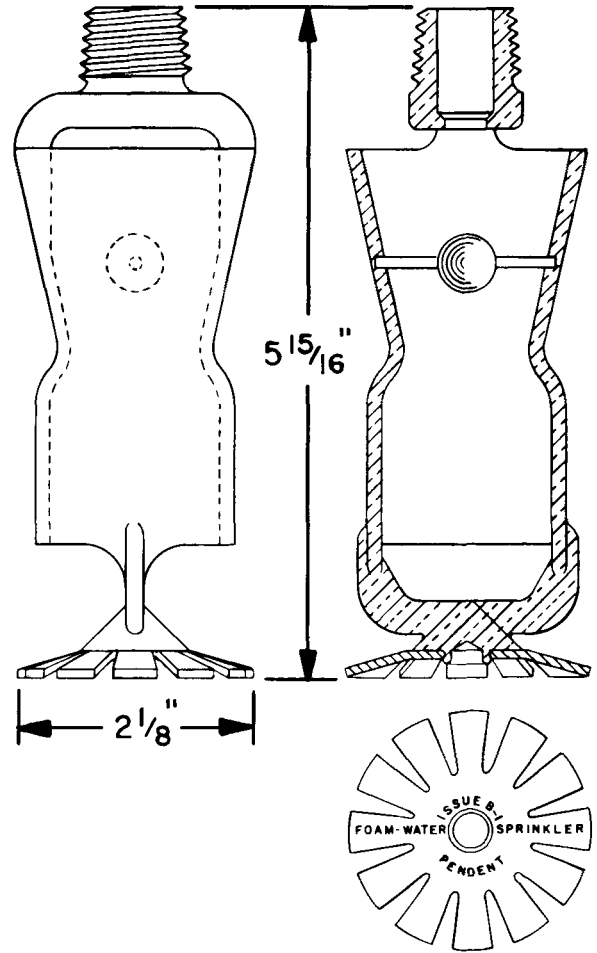
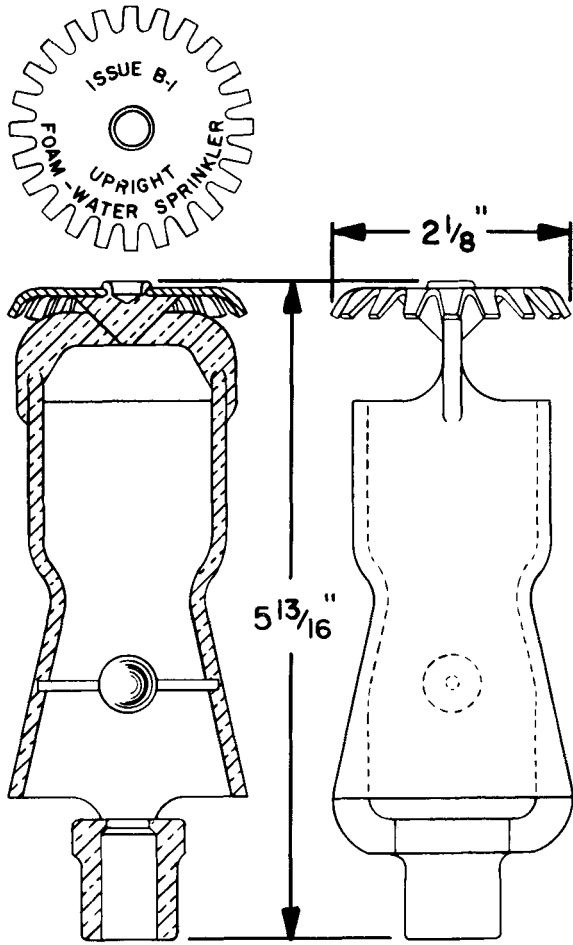




FOAM-WATER SPRINKLER

ISSUE B-1



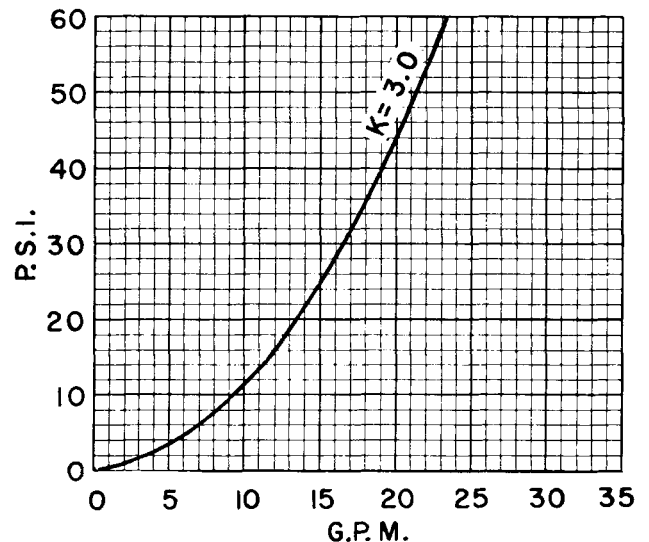
CONNECTION: 1/2" NPT OR FINISHED FOR 1/2" (.840" O.D.) BRAZED CONNECTION. FURNISHED WITH 1/2" NPT UNLESS OTHERWISE SPECIFIED.

ORFICE SIZE: 3/8" AT THROAT.

DEFLECTOR: UPRIGHT OR PENDENT.

FINISH: PLAIN.

TO ORDER SPECIFY:
 (UPRIGHT/PENDENT) FOAM-WATER
 SPRINKLER WITH (THREADED/BRAZING)
 CONNECTION. - - - - - (QUANTITY)



DISCHARGE CURVE