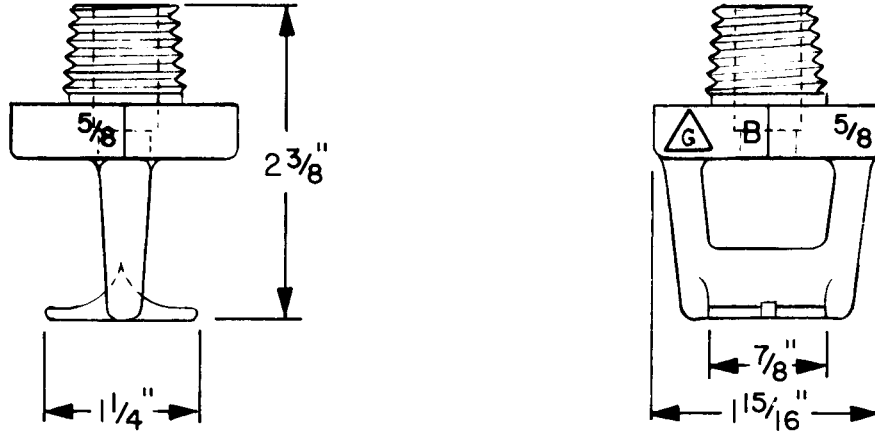


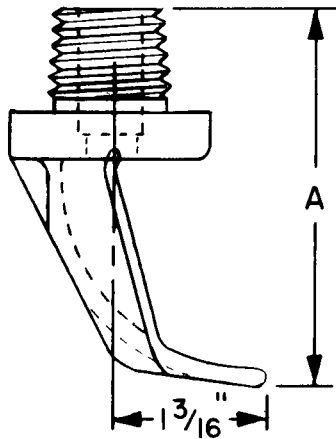


# CORNICE & WINDOW SPRINKLERS

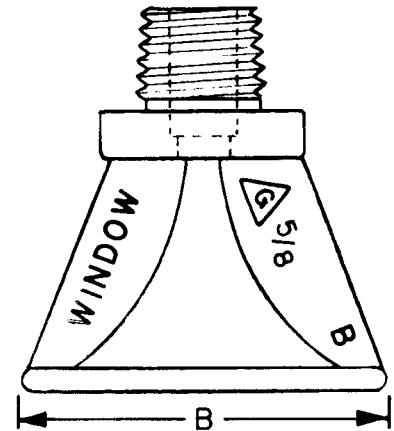
## ISSUE B



CORNICE SPRINKLER, ISSUE B,



DIMENSIONS IN INCHES		
DIM.	ORIFICE SIZE	
	1/2	5/8 & 3/4
A	2 3/4	3 1/16
B	2 7/8	3 1/4



WINDOW SPRINKLER, ISSUE B.

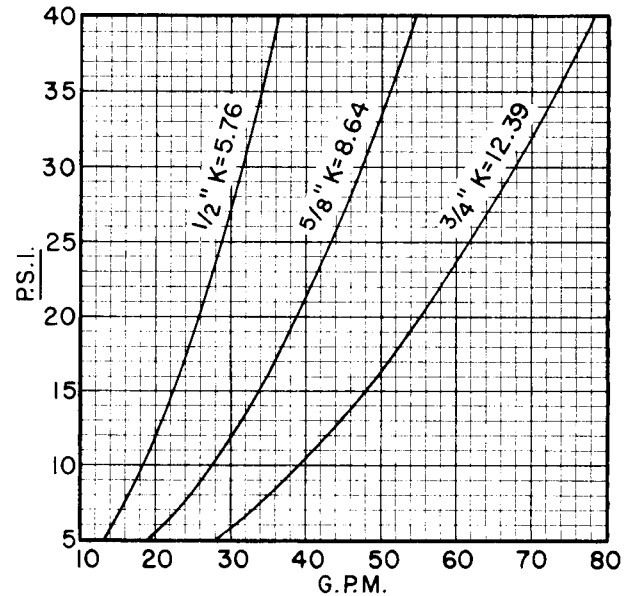
PIPE THREAD CONNECTION: 1/2" NPT. FOR 1/2" ORIFICE, 3/4" NPT. FOR 5/8" & 3/4" ORIFICE.

ORIFICE SIZE: 1/2", 5/8" & 3/4".

FINISH: PLAIN, CHROME PLATED, LEAD COATED, TEFLON COATED.

TO ORDER SPECIFY:

(SIZE) (FINISH) (WINDOW OR CORNICE) SPRINKLER.----- (QUANTITY)



DISCHARGE CURVE